

NOTES:

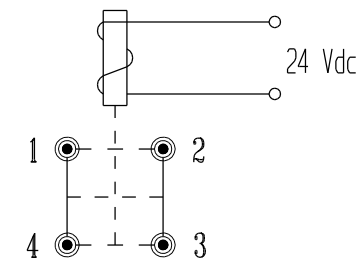
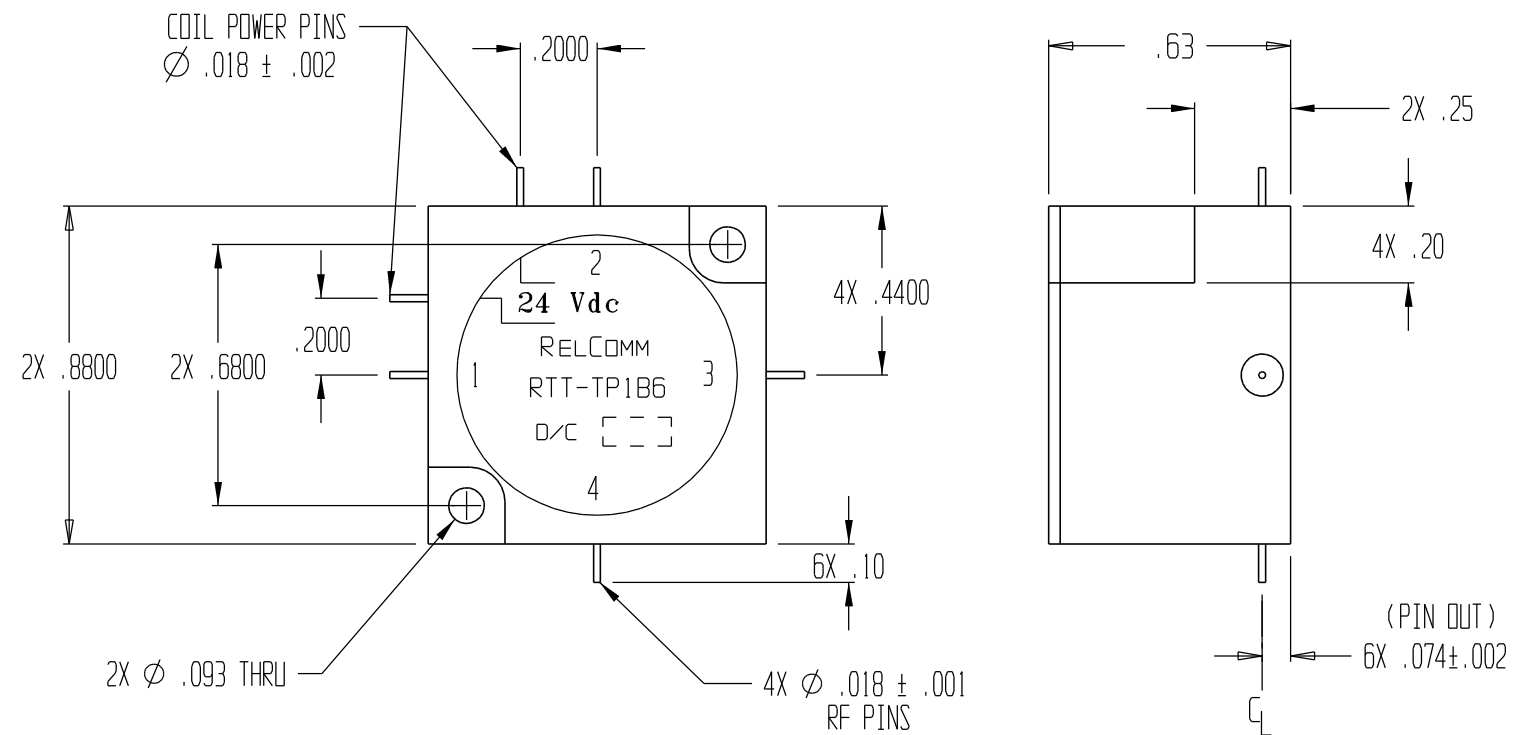
1. INTERPRET CALLOUTS/SYMBOLS PER ASME Y14.5M-1994
2. REFERENCE RECOMMENDED MOUNTING DETAIL 15-026-01.
3. RF PERFORMANCE CHARACTERISTICS REPRESENT AN INDIVIDUAL RELAY WHEN TESTED USING FLANGE TYPE "SMA" CONNECTOR LAUNCHERS. PERFORMANCE VALUES ARE SUBJECT TO AND MAY DEVIATE BASED ON END USER DISCRETION OF PCB TO RELAY LAUNCH TRANSITION DESIGN.
4. VERIFICATION OF CHARACTERISTICS ARE IN REFERENCE WITH MIL -S- 3928.

CHARACTERISTICS:

NOMINAL IMPEDANCE (OHM) -----	50			
FREQUENCY RANGE (GHz) -----	DC-1	1-2	2-3	3-6
V.S.W.R. (MAX) -----	1.1:1	1.15:1	1.2:1	1.3:1
INSERTION LOSS (dB MAX) -----	0.10	0.15	0.20	0.30
ISOLATION (dB MIN) -----	60	60	60	60
AVERAGE POWER(WATTS TYP)-----	65	45	35	25
TEMPERATURE RANGE (OPERATING) --	-40°C - +85°C			
TEMPERATURE RANGE (STORAGE) ----	-55°C - +100°C			
OPERATING VOLTAGE (OVER TEMP) --	21.5 - 26.5 Vdc			
PICKUP VOLTAGE (MAX @ 25°C) ----	18 Vdc			
DROPOUT VOLTAGE -----	> 1.5 Vdc			
OPERATING CURRENT (mA MAX) -----	133 NOM @ 24 Vdc & 25°C (3.0 WATT NOM)			
SWITCHING TIME (MAX) -----	10MSEC @ 24 Vdc & 25°C			
SWITCHING ACTION (FAILSAFE)-----	BREAK BEFORE MAKE			
LIFE (MINIMUM)-----	1 * 10^6 CYCLES			
WEIGHT (OZ) -----	0.8 NOM			

MATERIALS/FINISH:

HOUSING -----	ALUMINUM/NICKEL
RF/DC PINS ---	BRASS/GOLD
INSULATORS ---	TEFLON



SCHEMATIC SHOWN IN DE-ENERGIZED POSITION

1-2 3-4 (OPEN)
1-4 2-3 (CLOSED)

				UNLESS OTHERWISE SPECIFIED: DIMENSIONS ARE IN INCHES AND INCLUDE PLATING. TOLERANCES .XX ±.02 FRACTIONS ± .XXX ±.010 SURFACE QUALITY .XXXX ±.0050 63/ MAX	DR J.WILLIAMS 07/09/03 CK M.MAGDA ENG B.JONES MFG QA	<p>RelComm Technologies, Inc. 610 BEAM STREET SALISBURY, MARYLAND 21801</p>		
				THIRD ANGLE PROJECTION 	THIS DRAWING AND SPECIFICATIONS ARE THE PROPERTY OF RELCOMM TECHNOLOGIES AND SHALL NOT BE REPRODUCED OR COPIED OR USED IN WHOLE OR IN PART AS THE BASIS FOR THE MANUFACTURE OR SALE OF ITEM(S) WITHOUT WRITTEN PERMISSION.		TITLE COAXIAL TRANSFER RELAY "FAILSAFE"	
-	RELEASED	07/09/03	J.WMS			SIZE B	DWG NO. RTT-TP1B6	REV -
REV	ECN NO.	DATE	APPROVAL			SCALE 2:1	DO NOT SCALE DWG	SHEET 1 OF 1