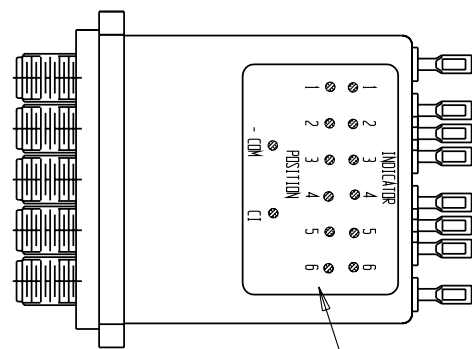
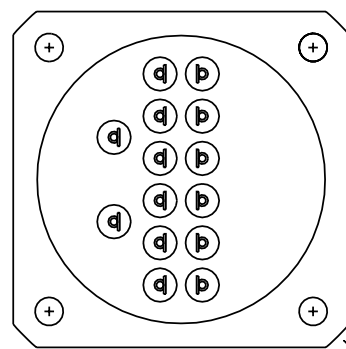


NOTES:

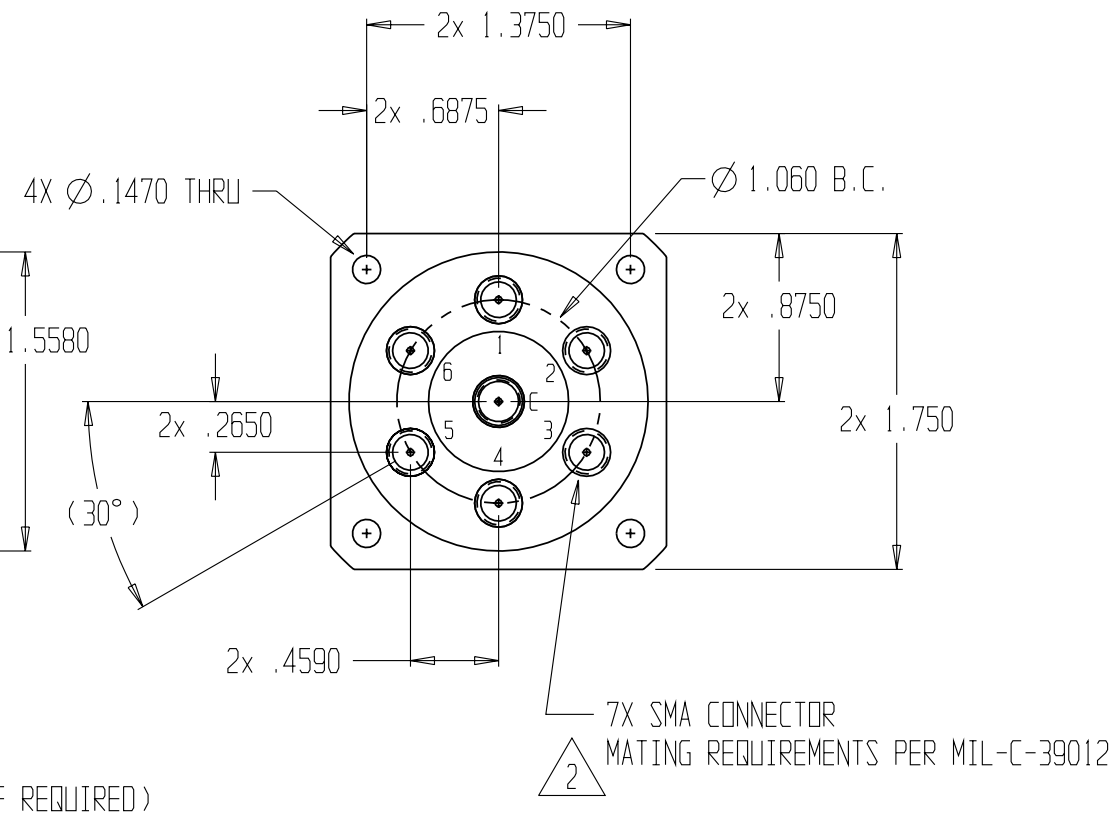
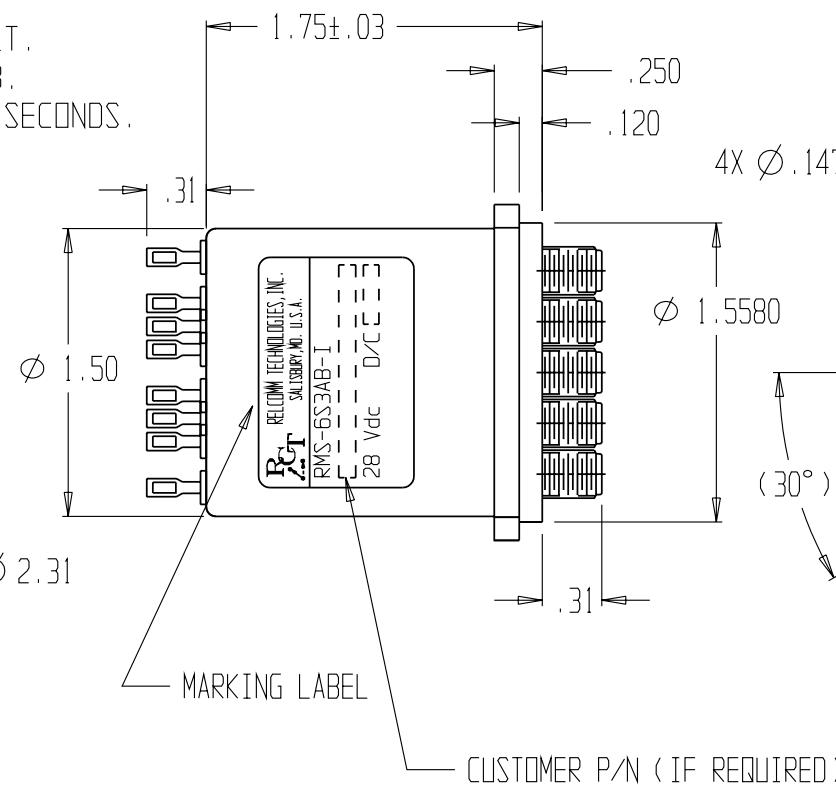
1. INTERPRET CALLOUTS/SYMBOLS PER ASME Y14.5M-1994
2. RECOMMENDED MATING CONNECTOR TORQUE IS 8 lb-in (90 N-cm)  
DO NOT EXCEED 12 lb-in (136 N-cm) AS DAMAGE TO CONNECTOR MAY RESULT.
3. VERIFICATION OF CHARACTERISTICS ARE IN REFERENCE WITH MIL -S- 3928.
4. RECOMMENDED PULSE WIDTH DURATION FOR SWITCHING RELAY, 50-500 MILLISECONDS.



TERMINAL IDENTIFICATION LABEL



MARKING LABEL

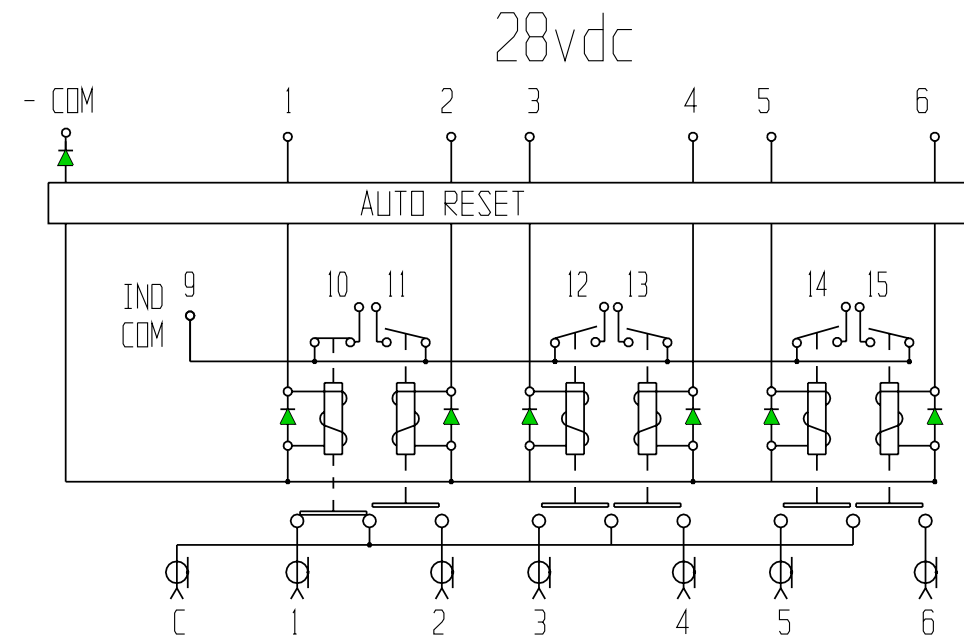


CHARACTERISTICS:

NOMINAL IMPEDANCE (OHM) -----	50			
FREQUENCY RANGE (GHz) -----	DC-4	4-8	8-12.4	12.4-18
V.S.W.R. (MAX) -----	1.2:1	1.3:1	1.4:1	1.5:1
INSERTION LOSS (dB MAX) -----	0.2	0.3	0.4	0.5
ISOLATION (dB MIN) -----	80	70	60	60
AVERAGE POWER (WATTS TYP)-----	85	55	45	35
TEMPERATURE RANGE (OPERATING) ---	-40°C - +85°C			
TEMPERATURE RANGE (STORAGE) -----	-55°C - +100°C			
SWITCHING ACTION -----	MAKE BEFORE BREAK			
OPERATING VOLTAGE (OVER TEMP) ---	22 - 30 Vdc			
SWITCHING VOLTAGE (MIN @20°C) --	20Vdc			
ACTUATING CURRENT (MA MAX) -----	130 @ 28 Vdc & 20°C			
SWITCHING TIME (MAX) -----	15mSEC			
LIFE (MIN PER POSITION)-----	1 * 10^6 CYCLES			
INDICATOR CONTACT RATING -----	5 WATTS TYP., 175 V MAX., .25 A MAX.			
WEIGHT (OZ) -----	7.0 NOM			

MATERIALS/FINISH:

HOUSING -----	ALUMINUM/NICKEL
COVER -----	ALUMINUM/BLACK ANODIZED
CONNECTORS ---	STAINLESS STEEL/PASSIVATE
INSULATION ---	TEFLON
CONTACTS -----	BERYLLIUM COPPER/GOLD



SCHEMATIC SHOWN IN POSITION ONE (C-1)

REV	ECN NO.	DATE	APPROVAL
-	PROD. RELEASE	10/26/06	A. MAGDA
C	CORRECT CURR.	06/15/06	A. MAGDA
B	CAN TERMINALS	11/23/04	B. JONES
A	PRELIMINARY	08/11/04	M. MAGDA

UNLESS OTHERWISE SPECIFIED:  
DIMENSIONS ARE IN INCHES  
AND INCLUDE PLATING.

XX ±.02 FRACTIONS ±  
.XXX ±.010 SURFACE QUALITY  
.XXXX ±.0050 32/ MAX

THIRD ANGLE PROJECTION

DR. M. MAGDA 08/11/04  
CK. B. JONES  
ENG. M. MAGDA  
MFG  
QA

THIS DRAWING AND SPECIFICATIONS ARE THE PROPERTY OF RELCOMM TECHNOLOGIES AND SHALL NOT BE REPRODUCED OR COPIED OR USED IN WHOLE OR IN PART AS THE BASIS FOR THE MANUFACTURE OR SALE OF ITEM(S) WITHOUT WRITTEN PERMISSION.

**RELCOMM TECHNOLOGIES, INC.**  
610 BEAM STREET  
SALISBURY, MARYLAND 21801

**EXCELLENCE BY DESIGN**

TITLE: 1P6T COAXIAL RELAY  
28 VDC PULSE LATCHING

SIZE B DWG NO. RMS-6S3AB-I REV -

SCALE 1 : 1 DO NOT SCALE DWG SHEET 1 OF 1